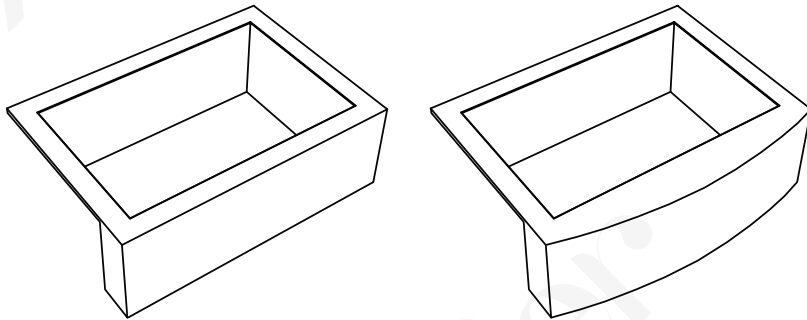




Stainless Steel Farmhouse Kitchen Sinks Installation Guide

CFS30, CFS33, CFS36, DFS33, DFS36



Before You Begin

IMPORTANT

- Read and understand this installation guide completely before installation. It will increase the chance of a successful installation.
- It is recommended that the installation be performed by trained and experienced installers.
- Observe all local plumbing and building codes.
- Make sure the installation site is clean and free of dust and debris.
- Unpack and inspect the sink from the package for shipping damage and make sure all parts are included with the sink.
- The base cabinet should be at least 3 inches larger than the actual size of the sink.
- Keep the sink in its package until you are ready to install.

CAUTION

- **Risk of personal injury! Stainless steel edges are sharp and can cause severe cuts. Wear gloves and eye protection when handling and installing the sink.**

NOTICE

- This installation guide is subject to change without notice, please contact us to request the most updated version of this installation guide.
- Product drawings in this installation guide are for illustration purpose only. Actual product may vary depends on model.
- This product is for residential use ONLY.
- Keep this installation guide and a copy of the receipt for your records.

Thank you for purchasing Luxier products. Please read the information below and keep this installation guide for future reference. If you require assistance, please contact our customer service department at 1-877-711-8828, Monday - Friday 9 AM - 5 PM Pacific Time or by email at support@luxierusa.com.

Tools (Recommended)

Tape Measure	Power Drills (Power Tools)
Pencil / Marker	Silicon Adhesive
Safety Glasses and Gloves	Screwdrivers
Drop Cloth	Level

NOTICE: Other tools may be needed depending on the installation

Parts

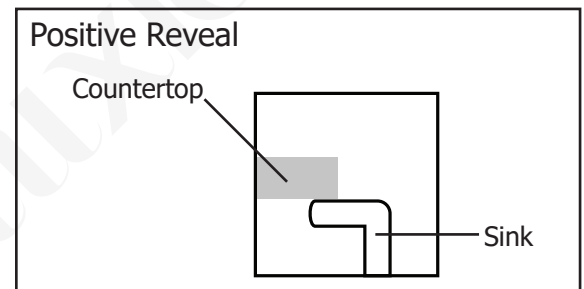
- Stainless Steel Sink
- Mounting Hardware
- Cutout Template
- Bottom Grid
- Basket Strainer
- Cutting Board
- Drying Rack
- Stainless Steel Colander
- Microfiber Cloth

Installation

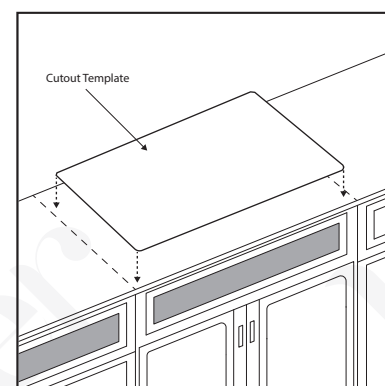
IMPORTANT

- The base cabinet should be at least 3" wider than the actual size of the farmhouse sink.
- Always check the cutout template against the actual sink dimensions to ensure the correct cutout size.
- Allow enough clearance for the installation of faucet, backsplash and plumbing pipes, etc.

1. It is recommended to install the kitchen sink with a positive reveal. The sink rim is about 1/2" revealed around from the edge of the countertop.

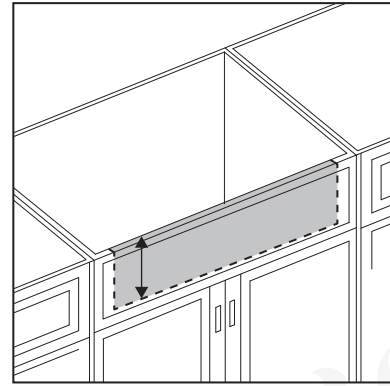


2. Place the cutout template on the countertop to determine the proper placement of the sink. Cut the countertop after finalize the sink position.

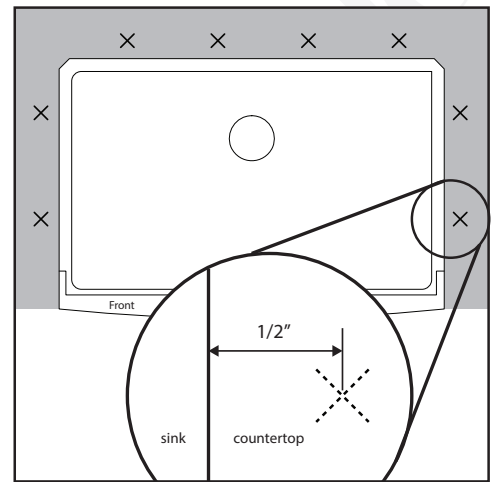


Installation (cont.)

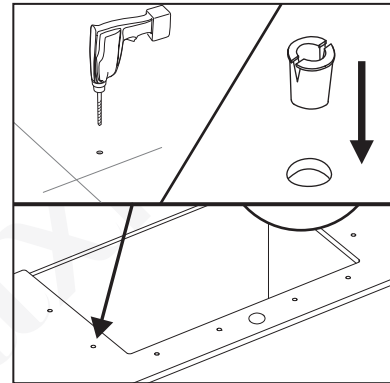
3. Measure the height of the front apron. Add $1/16''$ to the measurement and mark it on the front of the cabinet. Cut the front face of the cabinet.



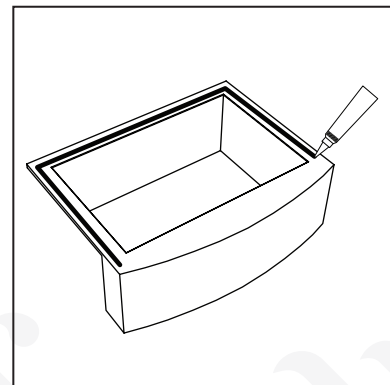
4. Flip the countertop over and place the sink on the countertop in the appropriate position. Mark the mounting holes on the under side of the countertop. **NOTE:** The mounting holes should be $1/2''$ from the edge of the sink and evenly spaced out along the sides and backside of the sink as shown in the diagram



5. Drill $1/2''$ deep holes as marked on the countertop. Use a small hammer or mallet lightly tap in the anchors.

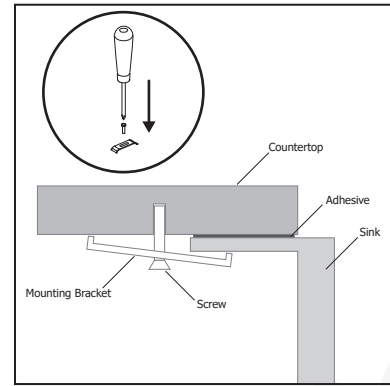


6. Apply a bead of silicone adhesive around the rim of the sink and position it to the cutout opening on the countertop. Press firmly to secure the sink to the countertop. **NOTE:** Always check the alignment and carefully lower it to countertop.



Installation (cont.)

7. Attach mounting brackets to the secure the sink in place. Wipe off excess adhesive from inside and outside of the sink bowl. Let the adhesive to cure for at least 45 minutes before install the countertop to the base cabinets. Connect the drain and install kitchen faucet to complete the installation.



Maintenance Guide

1. Any acidic food residue must be cleaned up immediately. For example, juices, salt, mustard, salad dressing, etc.
1. Regular cleaning can keep the original appearance of the sink. Use a mild detergent such as liquid dishwashing soap and warm water for cleaning. Rinse thoroughly with clean water to remove any cleaner residue and towel dry the sink immediately
2. Some discoloration spots are caused by hard water or household substances. These spots can be removed with special cleaning / polish products specifically for stainless steel.
3. Carefully read the cleaner product label to ensure the cleaner is safe for use on the material.
4. Do not use abrasive / harsh chemical when cleaning the product as they will damage and dull the finish. Avoid chlorine based solution from coming in contact with the stainless steel.
5. When using spray cleaners, spray first onto a soft cloth or sponge. Never spray directly onto the surface.
6. Never use steel wool or scrubbing powder to clean the surface. The stainless steel surface can get scratched and rust may develop at the damaged area.

Limited Lifetime Warranty (For USA Only)

The manufacturer warrants this product to be free of manufacture defects during daily normal household use for as long as it is owned by the original purchaser of this product. Please keep a copy of the original invoice as proof of purchase. This warranty is non-transferable.

Should a malfunction occur within the warranty period, Luxier USA will, as its option, (1) repair or replace the defective part(s) or product(s) at no charge; (2) issue a refund of the original purchase price of the product(s) (Valid within 30 days from the date of purchase); or (3) issue a credit to be applied toward the purchase of a new Décor Star product. Shipping/delivery charges may apply and are in Luxier USA's sole discretion.

This limited warranty shall not apply to goods which have been subject to accident, negligence, improper installation, product abuse, product misuse, or use of cleaners containing abrasives, alcohol or other organic solvents, whether performed by a contractor, service company, or yourself, are excluded from this warranty.

Our responsibility under this warranty is limited to only to replacement parts and no other costs. Luxier USA will not be responsible for labor charges and/or damage incurred by installation, repair or replacement, nor for any indirect incidental or consequential damages, losses, injury or costs of any nature relating to this faucet. Except as provided by law, this warranty is in lieu of and excludes all other warranties, conditions, and guarantees, whether expressed or implied, statutory or otherwise, including without restriction those merchantability of fitness for use.

This limited warranty is non-transferable. This limited warranty only applies to products purchased and installed in the United States. This limited warranty covers the original consumer purchase only and does not include business, commercial or industrial use of this product. To obtain service under the Limited Warranty, please contact Luxier USA at 1-877-711-8828, Monday - Friday 9 AM - 5 PM Pacific Time or by email at support@luxierusa.com. The Luxier USA Customer Care Department will determine whether to repair or replace your product, issue a refund, or issue a credit.